

REQUIREMENTS FOR APPLYING FOR A KENYAN IDENTITY CARD (ID)

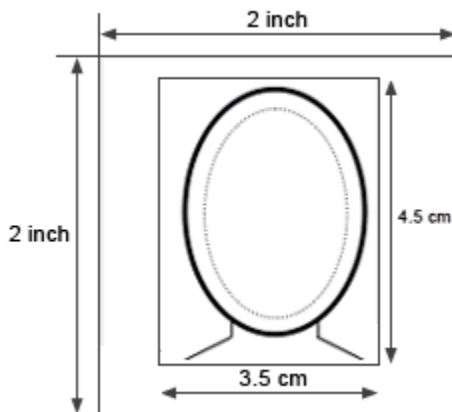
Things to note:

Each applicant must appear in person at the High Commission for biometrics capture.

Form **Reg. 136A** MUST be dully filled before coming for the appointment.

Married ladies who wish to change their names, both husband and wife must be present at the time of application submission.

Applicants are required to bring two (2) passport size photographs recently taken on a white background following these dimensions 35mm x 45mm (3.5 x 4.5cm) 1.35x1.77inches). You may take a 2"x2" passport size picture but make sure your face appears small (fits within the 1.38x1.77inches) dimensions. Distance between you and the cameraman will help create this effect. Sample below:



Holders of first-generation identity cards (the big size) are considered first time applicants.

A money order of CAD 70 payable to Kenya High Commission

Processing of IDs takes approximately eight weeks.

Attach a pre-paid self addressed return Xpresspost courier envelope from Canada Post bearing a tracking number.

Other courier services such as FedEx or UPS should have a “computer-generated label”

Requirements for first time applicants and holders of first-generation Identity cards.

Form **Reg. 136A** duly completed.

- Original 1st generation ID for holders of 1st generation IDs
- Applicant’s copy of Kenyan birth certificate
- Three (3) passport size photographs recently taken on a white background.
- Copy of applicant’s Kenya passport bio data page (page with the picture and information).
- Copy of Kenyan Identity card for parent/parents
- A money order of CAD 70 payable to Kenya High Commission

- Attach a pre-paid self addressed return Xpresspost courier envelope from Canada Post bearing a tracking number.
Other courier services such as FedEx or UPS should have a “*computer-generated label*”

OR

- Original 1st generation ID for holders of 1st generation IDs
- Three (3) passport size photographs recently taken on a white background.
- Copy of applicant’s Kenyan passport bio data page (page with the picture and information).
- Copy of Registration certificate (for Kenyans by Registration).
- Residence permit/Naturalisation certificate/proof of having regained Kenya citizenship and or declared Kenya Citizenship.
- Attach a pre-paid self addressed return Xpresspost courier envelope from Canada Post bearing a tracking number.
Other courier services such as FedEx or UPS should have a “*computer-generated label*”

Replacement of Lost/ Mutilated/ Duplicate Identity Card.

Form **Reg. 136A** duly completed.

1. Police report or notarised affidavit explaining the circumstance of loss.
2. Two passport size photographs recently taken on a white background.
3. Copy of applicant’s Kenyan passport bio data page
4. Copy of applicant’s Identity card
5. Copy of applicant’s Kenya birth certificate.
6. Original and copy of ID (for duplicate and mutilated)
7. Copy of the lost ID.
8. A money order of CAD 70 payable to Kenya High Commission
9. Attach a pre-paid self addressed return Xpresspost courier envelope from Canada Post bearing a tracking number.
Other courier services such as FedEx or UPS should have a “*computer-generated label*”

Change of particulars on an Identity card.

Form **Reg. 136A** duly completed.

1. Applicant’s original and copy of the ID.
2. Two passport size photographs recently taken on a white background.
3. Copy of applicant’s Kenya passport (bio data page).
4. Copy of marriage certificate (if foreign issued, to be notarised).
5. A copy of Deep poll prepared and registered in Kenya accompanied by a copy of Kenya Gazette Notice effecting Name change.
6. Ladies changing names as a result of marriage to be accompanied by their husbands at the time of submission of the application.
7. A money order of CAD 70 payable to Kenya High Commission
8. Attach a pre-paid self addressed return Xpresspost courier envelope from Canada Post bearing a tracking number.
Other courier services such as FedEx or UPS should have a “*computer-generated label*”